

# PRE-HUNG DOOR INSTALLATION INSTRUCTIONS

**PLEASE READ THE INSTRUCTIONS COMPLETELY THROUGH BEFORE BEGINNING THE INSTALLATION.**

**A LICENSED CONTRACTOR IS RECOMMENDED FOR THE INSTALL.**

## 1. PREPARE THE OPENING

- The three sides of the rough opening must be in the same plane, level and square, for proper installation and operation of the door (See Figure **A**).
- The rough framed opening should be about 1/2" to 1" wider and taller than the door unit itself.
- **Important:** Be sure the floor is level before installing. If not level, shim as needed.
- The floor area should be clean, dry and level. Apply generous amounts of caulk to floor where the threshold will rest (See Figure **A**).

## 2. BEFORE YOU INSTALL THE DOOR UNIT

- If your unit has any type of brace under the sill or skid protectors, please remove at this point.
- Before installing the door unit you must remove the screw from the pre-hanging plug before you begin installation (See Figure **B.1**).
- However, do not remove the pre-hanging plug itself until the unit is temporarily fastened in place. The pre-hanging plug is necessary to hold the door closed during installation (See Figure **B.2**).

## 3. SETTING THE UNIT

- From outside your home, center the door unit in the opening and tilt into position. Assure uniform spacing around the unit (See Figure **C**).
- Shim unit in place by driving the shims from the interior side. Be sure to shim behind each hinge. For double units, also shim above t-astagal. For sidelite units, also shim above mull posts. For single units, shimming the header may be necessary for proper reveal (See Figure **D**).
- Plumb and square one vertical jamb, then temporarily fasten the unit into place using 3" drywall screws (not supplied).

## ADEQUATE OVERHANG RECOMMENDED

- An overhang protects from elements such as sun and rain.
- Overhang required for wood doors.
- Overhang required for water infiltration protection.

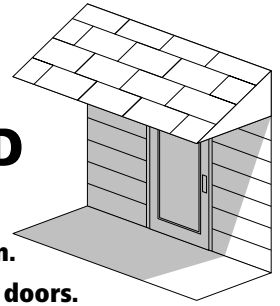


Figure A

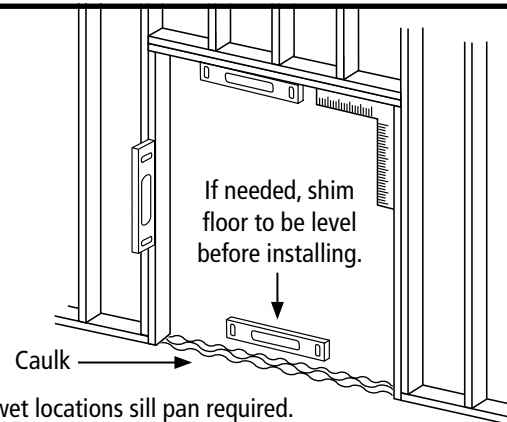


Figure B.1

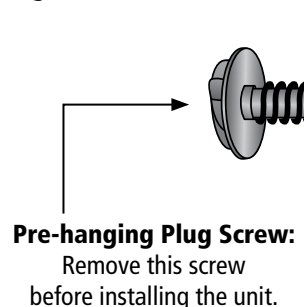


Figure B.2

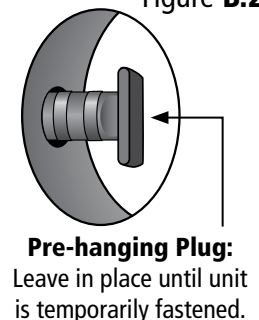


Figure C



#### 4. CHECK FOR PROPER ALIGNMENT

- Plumb and square the other vertical jamb. Shim between jamb and rough opening to assure proper alignment.
- Remove pre-hang plug from the bore hole. Open and close the door. There should be uniform spacing or reveal (1/8") between door and jamb on the two sides and the top of the door. Make any necessary adjustments to the unit now, to assure uniform spacing around the door, before proceeding.
- Be sure the door sweep contacts the threshold evenly. Make necessary adjustments now, before proceeding.
- The door should be able to open and close freely.

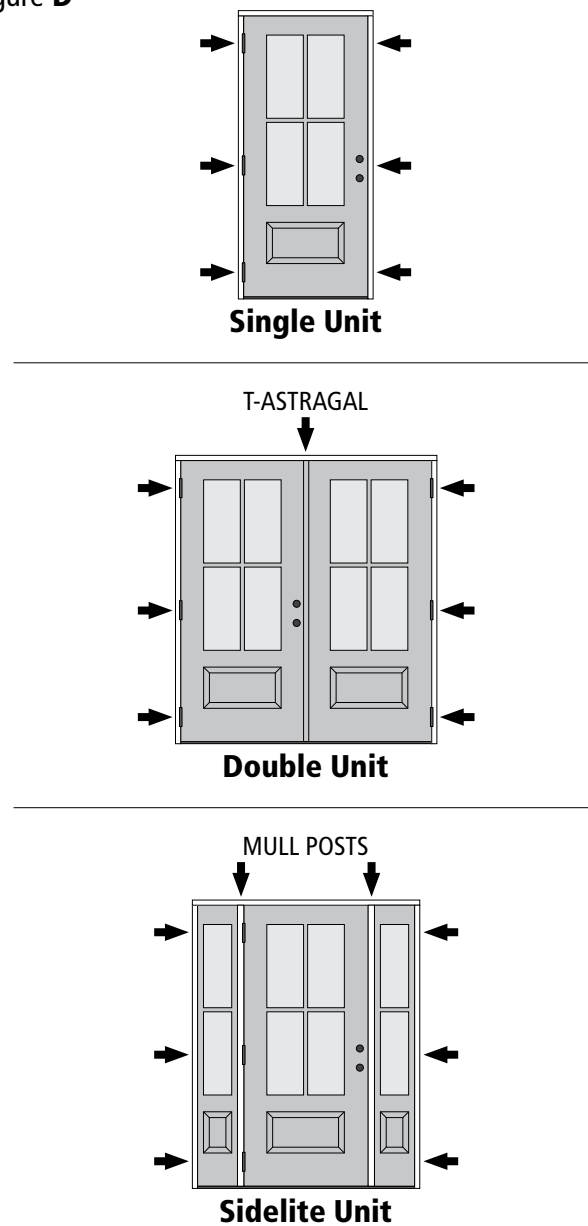
#### 5. PERMANENTLY FASTEN THE UNIT

- **Important:** We recommend replacing one screw on each jamb-side hinge with a 3" or 3-1/2" screw (not provided) to securely fasten the unit on the hinge side of the door unit. Be sure you have shimmed above or below each hinge location.
- Be sure you have shimmed the lock side of the door unit in at least 3 places along the vertical lock jamb. Be sure you have shimmed t-astagal on double units and mull posts on sidelite units. (See Figure D).
- Once alignment is correct, permanently screw the unit into place using 2" dry wall screws (not provided) through the jamb and the shims then into the stud.

#### 6. COMPLETION STEPS

- Install lockset hardware in accordance with hardware manufacturer's instructions.
- Apply interior and exterior casing or moulding as desired. Note: Your door unit may already have exterior brick-mould applied.
- Caulk around the entire frame/brickmould of the exterior wall, using a high quality exterior grade caulk. Caulk where the jambs and threshold meet, and on the exterior edge of the threshold. Then if needed add a bead of caulk between the jamb and the threshold (See Figure E).
- Follow the paint manufacturer's instructions for painting or finishing the jamb. Primed jambs should be finished in 1 week. Wood doors must be finished immediately.
- Do not paint or finish the bottom door sweep or weather-stripping. If these pieces are painted or finished your door will not seal properly.
- Make sure you leave the door open long enough to ensure proper drying after painting or finishing the jamb. This is important, wet paint or finish will stick to the weather-stripping then alter its performance.

Figure D



Shim at each location shown. Be sure to shim each jamb, above or below hinge location.

Figure E

